

IEEE 802 Mar 2023

**IEEE 802.3 Ethernet WG
Opening Plenary
13 Mar 2023**

**IEEE P802.3df
400 Gb/s and 800 Gb/s
Task Force
Opening Report**



IEEE P802.3df Task Force Project information

■ Organization

- John D'Ambrosia, Chair, IEEE P802.3df Task Force
- Mark Nowell, Vice-Chair, IEEE P802.3df Task Force, Optics Track Chair
- Matt Brown, Chief Editor
- Mark Gustlin, Architecture & Logic Track Chair
- Kent Lusted, Electrical Track Chair

▪ Task force web and reflector information:

- Home page: <https://www.ieee802.org/3/df/index.html>
- Reflector Info - <https://www.ieee802.org/3/df/reflector.html>
 - TF Reflector: stds-802-3-b400g@listserv.ieee.org
 - Logic Reflector: stds-802-3-b400g-logic@listserv.ieee.org
 - Optical Reflector: stds-802-3-b400g-optx@listserv.ieee.org
 - Electrical Reflector: stds-802-3-b400g-elec@listserv.ieee.org

▪ Project Documentation –

- PAR : https://www.ieee802.org/3/df/proj_doc/IEEE_P802.3df_PAR_11122021.pdf
- CSD: <https://mentor.ieee.org/802-ec/dcn/21/ec-21-0306-00-ACSD-p802-3df.pdf>
- Objectives: https://www.ieee802.org/3/df/proj_doc/objectives_P802d3df_220317.pdf

▪ P802.3df TF meeting information may be found on:

- Public page: <https://www.ieee802.org/3/df/public/index.html>
- 802.3 Calendar: <https://www.ieee802.org/3/calendar.html>
- Ad hoc Page: <https://www.ieee802.org/3/df/public/adhoc/index.html>

Activities Since Nov 2022 Plenary

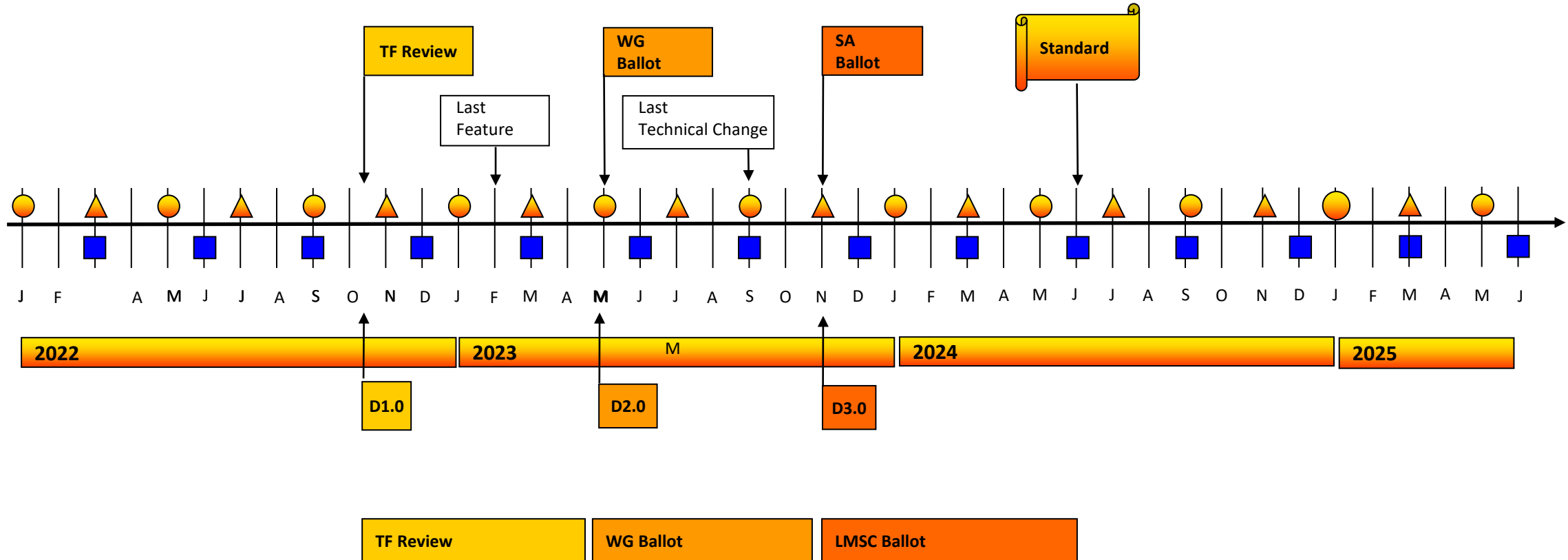
Initial Task Force Review Closed Sun 13 Nov 2022

- 197 comments from 14 reviewers

Dec 2022 Session (06 Dec – 08 Dec)

- Considered all comments submitted against D1.0
 - Approved Generation of D1.1
 - Task Force Review D1.1
 - Opened 20 Dec 2022
 - Closed 10 Jan 2023
 - 138 Comments rx from 10 reviewers
 - Jan 2023 Joint P802.3df / P802.3dj Session
 - Considered all comments submitted against D1.1
 - Approved Generation of D1.1D2.0 & pre-submission for 802.3 WG Ballot
 - Feb 2023 Session cancelled
 - Preview D2.0 submitted – 20 Feb 2023
-
- Ad Hoc Meetings
 - Architecture Ad hoc (21 Feb)
 - 2 technical presentations considered - Skew

Adopted IEEE P802.3df Timeline (04 Oct 2022)



Legend

- ▲ IEEE 802 Plenary
- IEEE 802.3 Interim
- IEEE-SA Standards Board

802.3df Mar Plenary Plans

- **Joint P802.3df / 3dj Meetings:**
 - **Mon 1:00 pm to 6:00 pm**
 - **Tues 8:30 am to 6:00 pm**
 - **Wed 8:30 am to 6:00 pm**
 - **Thurs 8:00 am to 12:00 pm**

- **Approve requesting to proceed to WG Ballot**

THANK YOU!

