

IEEE P802.3cw Task Force: 400 Gb/s over DWDM Systems

Closing Report

John D'Ambrosia

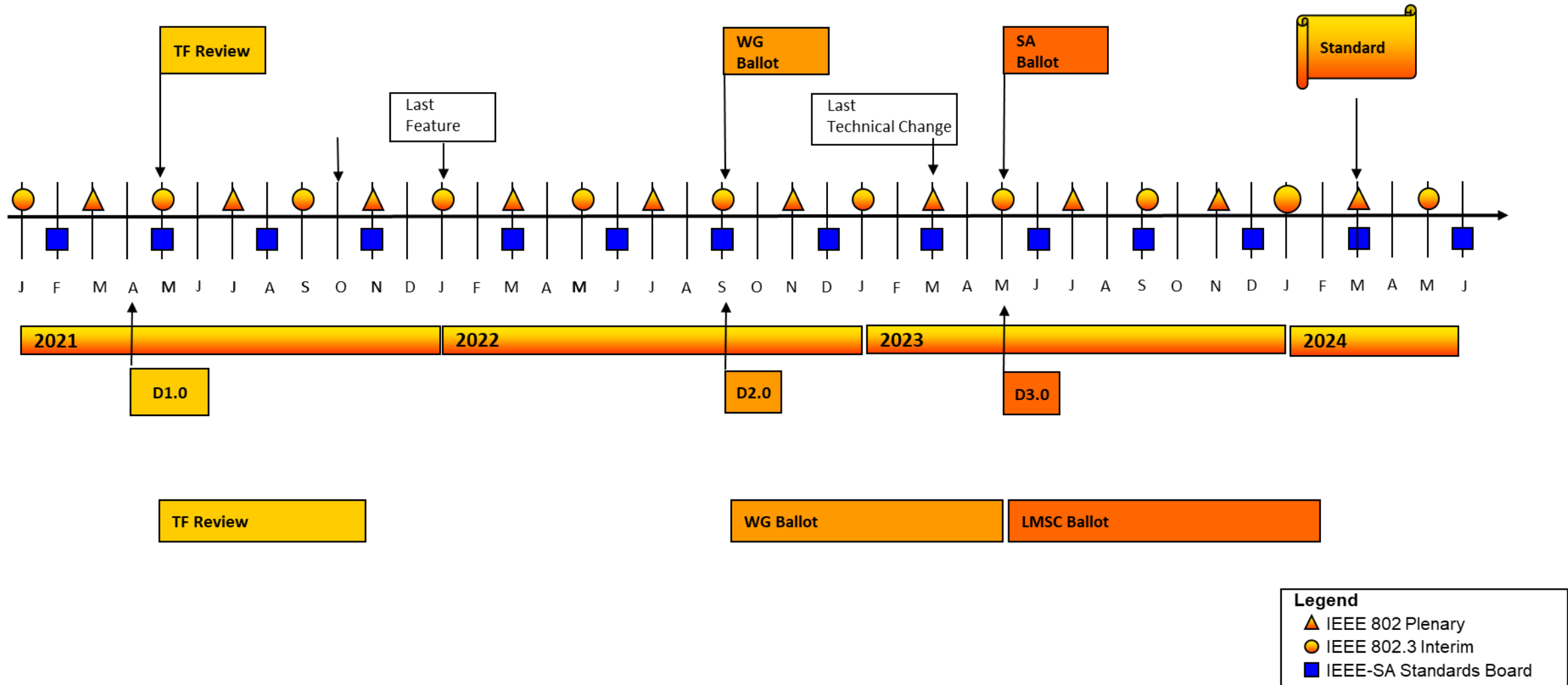
Futurewei, U.S. Subsidiary of Huawei
IEEE 802 Mar 2022 Electronic Plenary
26 May 2022

IEEE P802.3cw Task Force Project information

Task Force Organization

- John D'Ambrosia, Chair, IEEE P802.3cw Task Force
- Editorial Team
 - Tom Issenhuth – Chief Editor, 400 GbE Optical PHY Clause
 - David Lewis - 400 GbE PCS/PMA Clauses
- Task force web and reflector information
 - Reflector: <http://www.ieee802.org/3/ct/reflector.html>
 - Home page: <http://www.ieee802.org/3/cw/index.html>
- Project Documentation –
 - PAR : http://www.ieee802.org/3/cw/proj_doc/P802d3cw_PAR.pdf
 - CSD: <https://mentor.ieee.org/802-ec/dcn/19/ec-19-0219-00-ACSD-p802-3cw.pdf>
 - Objectives: http://www.ieee802.org/3/cw/proj_doc/3cw_Objectives_190911.pdf
 - Timeline: https://www.ieee802.org/3/cw/proj_doc/timeline_3cw_210927.pdf
- Ad Hoc page: <http://www.ieee802.org/3/ct/public/adhoc/index.html>

Updated Timeline (Adopted by IEEE P802.3cw TF – 21 Mar 2022)



Activities Since Mar 2022 Plenary

- 5th Task Force Review
 - Comment Consideration ended 04 Apr 2022
- 6th Task Force Review
 - Opened 07 Apr 2022
 - Closed 04 May 2022
 - Results
 - Total 33 Comments (8T, 3 TR, 10E, 12 ER) 33
- May 2022 Session
 - EVM Data submitted from two individuals
 - Comment consideration completed – all TBD closed
 - Approved Gen of D1.6 and start of 7th Task Force Review

Plans Going Forward

- 5/27 – Open 7th TF Review – D1.6 (14 days).
- 6/10 – Close 7th TF Review – D1.6
- 6/20– TF Electronic Meeting - comment consideration D1.6 –
 - Assuming no substantial changes – No Recirculation
 - Generate D2.0 from D1.6 TF Approval to submit for WG Ballot
- By 7/3 – Submit D2.0 for IEEE 802.3 Preview for consideration for WG Ballot
- IEEE 802 July Plenary
 - IEEE P802.3cw – no meeting
 - Request to proceed to WG Ballot

Questions?

Thank you!