




IEEE P802.3ba 40Gb/s and 100Gb/s Ethernet

Closing Plenary Report

Atlanta, GA, USA
Nov 2009

John D'Ambrosia
jdambrosia@ieee.org



IEEE P802.3ba Task Force Officers and Editors

<u>John D'Ambrosia</u>	Task Force Chair
<u>Ilango Ganga</u>	Task Force Chief Editor Editor – Clauses 1, 4, 80, Annexes A, 4A
<u>Mark Gustlin</u>	Chair, “Logic” Sub-task Force Editor – Clauses 81, 82
<u>Chris DiMinico</u>	Chair, “Cu” Sub-task Force Editor – Clause 85
<u>Pete Anslow</u>	Chair, “Optical” Sub-task Force Editor – Clause 88
<u>Hugh Barrass</u>	Editor – Clauses 30, 45
<u>Jonathan King</u>	Editor – Clause 87
<u>Arthur Marris</u>	Editor – Clauses 69, 73, 74, 84, Annexes 69A, 69B
<u>Steve Trowbridge</u>	Editor – Clause 83, Annex 83C
<u>Ryan Latchman</u>	Editor – Annex 83A, 83B
<u>Piers Dawe</u>	Editor – Clause 86, 52
<u>George Oulundsen</u>	Task Force Secretary
<u>Frank Chang</u>	Task Force Web Master

Reflector and Web

- To subscribe to the IEEE P802.3ba Task Force reflector, send an email to:

ListServ@ieee.org

with the following in the body of the message (do not include “<>”):

***subscribe stds-802-3-hssg <yourfirstname> <yourlastname>
end***

- Send IEEE P802.3ba Task Force reflector messages to:

STDS-802-3-HSSG@listserv.ieee.org

- Task Force web page URL:

http://www.ieee802.org/3/ba/

IEEE P802.3ba Private Area

- URL: <http://www.ieee802.org/3/ba/private/>
 - Username: 802.3ba
 - Password: xxxxxxxx
 - Password is case sensitive

- Note - The draft is posted for your review only, and neither the draft nor access information should be copied or redistributed to others in violation of document copyrights.

Task Force Approved Project Documents

■ PAR

- http://ieee802.org/3/ba/PAR/par_0308.pdf

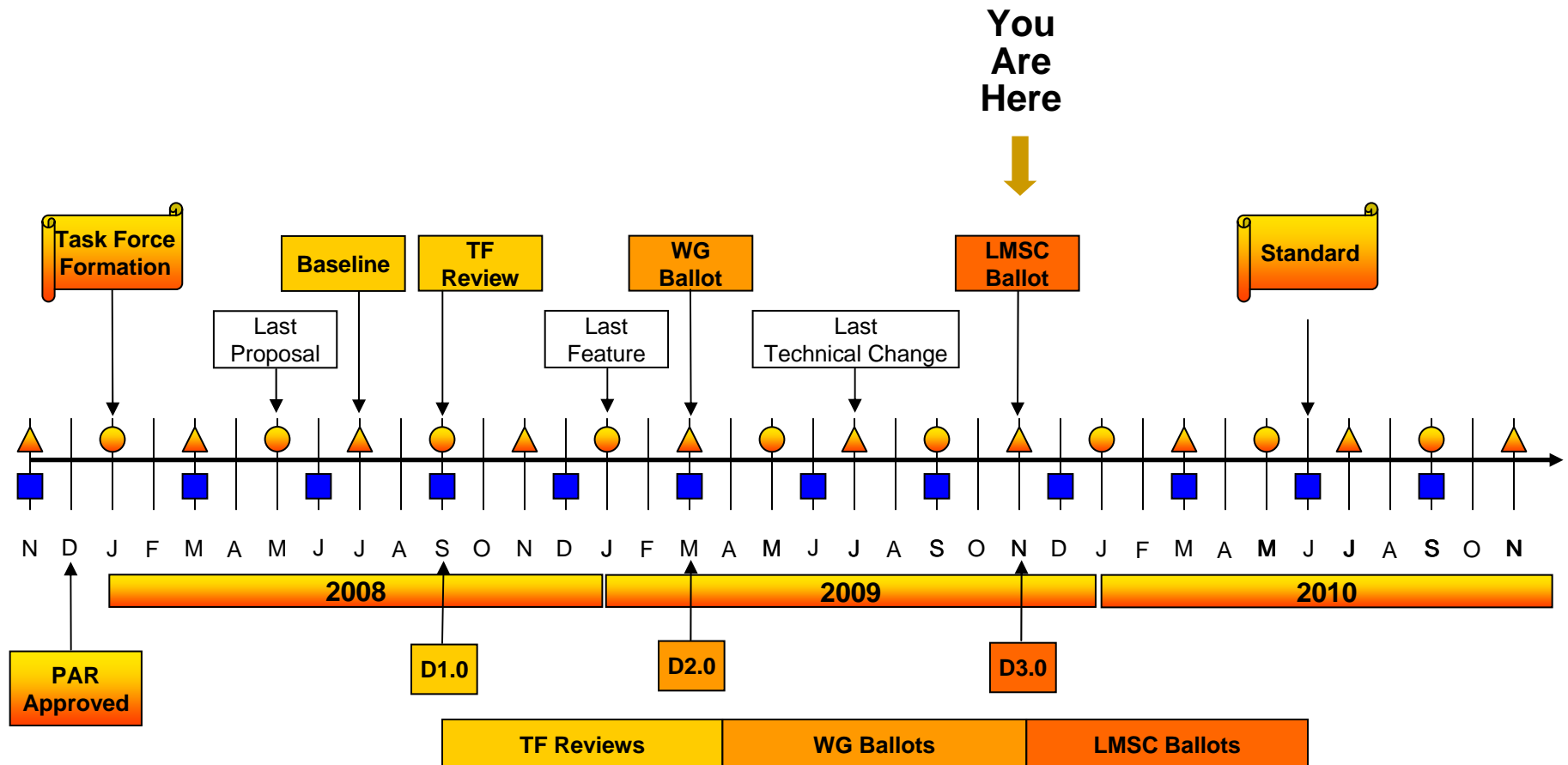
■ 5 Criteria

http://ieee802.org/3/ba/PAR/P802.3ba_5C_0908.pdf

■ Objectives

- http://ieee802.org/3/ba/PAR/P802.3ba_Objectives_0709.pdf

IEEE P802.3ba Task Force Timeline



* Adopted by IEEE P802.3ba TF at March 08 Plenary

Legend	
▲	IEEE 802 Plenary
●	IEEE 802.3 Interim
■	IEEE-SA Standards Board

This Week's Progress (1 of 2)

- Resolved / responded to all 77 comments received on D2.3
 - All TR/ER comments on D2.3 closed at the meeting
 - No new unresolved negative comments on D2.3
 - 10 comments were accepted/accepted in principle
 - ganga_02_1109 illustrates changes to D2.3. (Will be uploaded to P802.3ba private area)
- Considered liaisons
 - OIF –
 - OIF Liaison Response Ad Hoc met
 - See dambrosia_OIF_01d_1109.pdf. (Forwarding IEEE P802.3ba D3.0)
 - TF Motion to approve dambrosia_OIF_01d_1109.pdf as liaison document to the OIF. Results: Approved by voice vote without opposition
 - ITU-T Study Group 15 - TF to do informal communication to forward IEEE P802.3ba D3.1 (after New Orleans meeting)
 - INCITS T11.2 Activities Report

This Week's Progress (2 of 2)

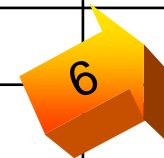
- TF Motion: Requesting to go to Sponsor Ballot
 - Move that the Task Force:
 - Accept comment resolutions from D2.3 as recorded in the comment database.
 - Directs the IEEE P802.3ba editorial team to generate Draft 3.0, based on Draft 2.3 and the resolution of comments against Draft 2.3.
 - Request Working Group Chair to seek the EC approval to initiate Sponsor Ballot
 - Results All (y/n/a): 59 / 0 / 0

3rd Recirculation Ballot Stats

- **Date the ballot closed**
 - Ballot closed Oct 30, 2009
- **Vote tally including Approve, Disapprove and Abstain votes**
 - See next slide
- **Comments that support the remaining disapprove votes and WG responses.**
 - 4 Commenters
 - Unsatisfied TRs/ERs: 15
 - 9 comments from 1 commenter related to naming (6 – SR / LR / ER, 3 PCS)
 - 1 comment related to coordination of clause numbering between projects

WG Ballot Results

	D2.0 Initial WG ballot	D2.1 WG recirc ballot	D2.2 WG recirc ballot	D2.3WG recirc ballot	After D2.3 BRC
Voters	229	229	229	229	229
Approve	87	97	108	128	134
Disapprove	32	30	21	10	4
Disapprove w/o comment	3	2	1	1	1
Abstain	10	11	14	7	7
Returns	132	140	144	146	146
Response rate	57.64%	61.14%	62.88%	63.76%	63.76%
Abstention rate	7.58%	7.86%	9.72%	4.79%	4.79%
Approval rate	73.11%	76.38%	83.72%	92.75%	97.10%



Ballot met required response rate $\geq 50\%$, abstention rate $< 30\%$, and approval rate $\geq 75\%$

WG Motion

- Move that 802.3 approve and forward the liaison letter (dambrosia_OIF_01d_1109.pdf) with appropriate edits by the Chair (or his appointed agent), to the OIF.
- Moved by: John D'Ambrosia
- Second by: Steve Trowbridge
- Technical (=>75%)
- Results (y/n/a):
- Motion

WG Motion

- Request the WG Chair to seek the EC approval to initiate Sponsor Ballot
- Moved by John D'Ambrosia on behalf of the IEEE P802.3ba Task Force
- Technical (=>75%)
- Results (y/n/a)
- Motion



Thank You!

