

# IEEE P802.3bs 200 GbE and 400GbE Task Force Opening Report

John D'Ambrosia  
Futurewei, Subsidiary of Huawei  
San Antonio, TX, USA  
Nov 7, 2016

# IEEE P802.3bs Task Force

## Project information

---

### Task Force Organization

John D'Ambrosia, IEEE P802.3bs Task Force Chair

Pete Anslow, IEEE P802.3bs Task Force Chief Editor, Clauses FM, 00, 1, 4, 30, 45, 78, 116, A, 4A, 31B, 90, 93A, 120B, 120C Editor

Mark Gustlin, Clause 117, 118, 119, 119A Editor

Jonathan King, Clause 123 Editor

Andre Szczepanek, Annexes 120D, 120E

Peter Stassar, Clause 121, 122, 124 Editor

Steve Trowbridge, Clause 120, 120A Editor

### Task force web and reflector information

Reflector: <http://www.ieee802.org/3/400GSG/reflector.html>

Home page: <http://www.ieee802.org/3/bs/index.html>

PAR: [http://www.ieee802.org/3/bs/PAR\\_P802.3bs\\_16\\_0516.pdf](http://www.ieee802.org/3/bs/PAR_P802.3bs_16_0516.pdf)

CSD: <https://mentor.ieee.org/802-ec/dcn/16/ec-16-0057-00-ACSD-802-3bs.pdf>

Objectives: [http://www.ieee802.org/3/bs/Objectives\\_16\\_0317.pdf](http://www.ieee802.org/3/bs/Objectives_16_0317.pdf)

Timeline [http://www.ieee802.org/3/bs/timeline\\_3bs\\_0915.pdf](http://www.ieee802.org/3/bs/timeline_3bs_0915.pdf)

Ad Hoc page <http://www.ieee802.org/3/bs/public/adhoc/index.shtml>

# IEEE P802.3bs 200GbE and 400GbE TF Activities since July 2016 Plenary

---

Met during the Sept 2016 interim meeting series

Major items discussed, decisions made and actions

Responded to 574 comments

Approved generation of D2.1.

Current status

WG 1<sup>st</sup> Recirculation Ballot on D2.1 closed 10/21

Received 164 Comments

Invitation to Participate in Sponsor Ballot of IEEE P802.3bs sent

Thanks to IXIA for Hosting Sept Interim

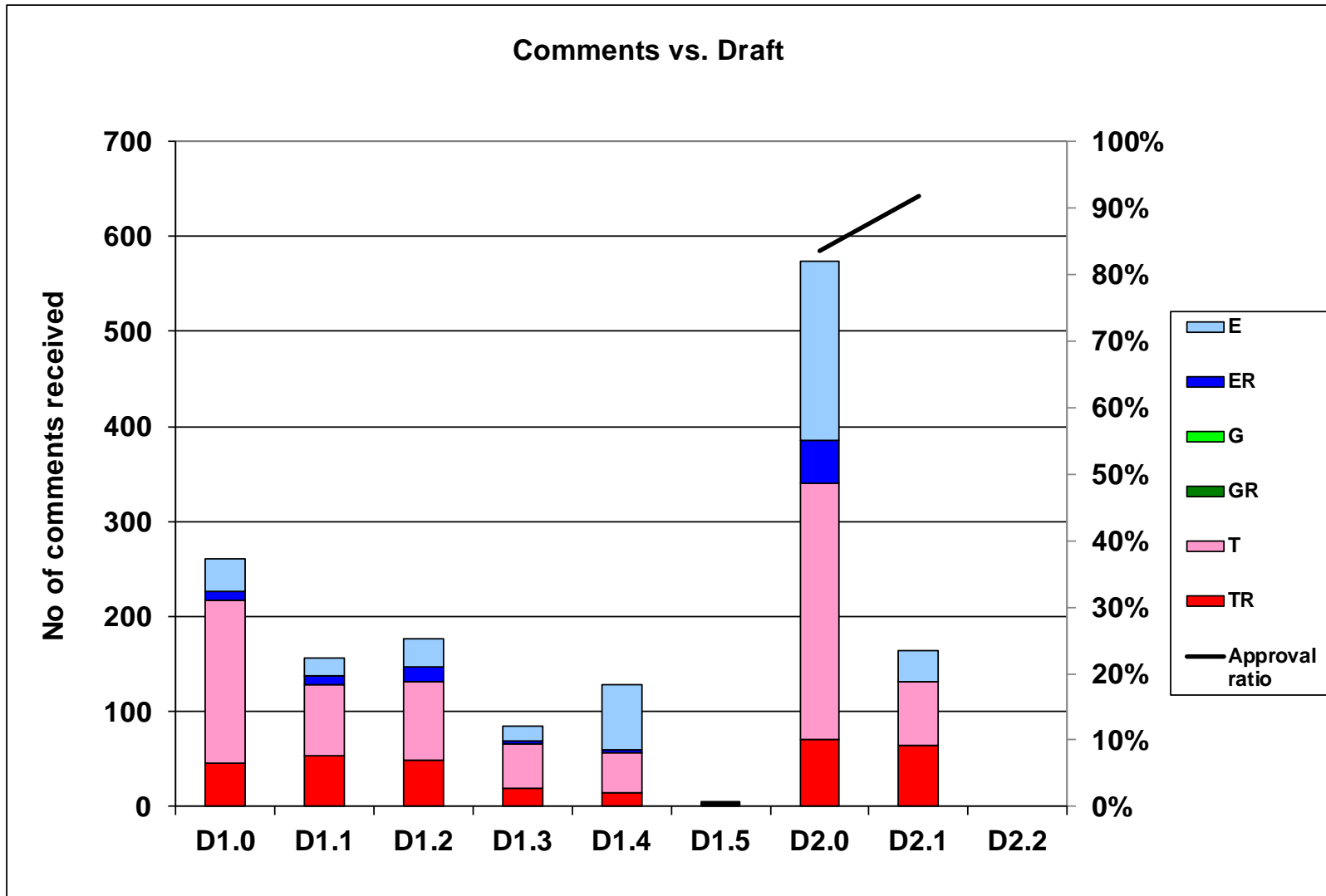
Ad Hoc Meetings –

Logic -10/27

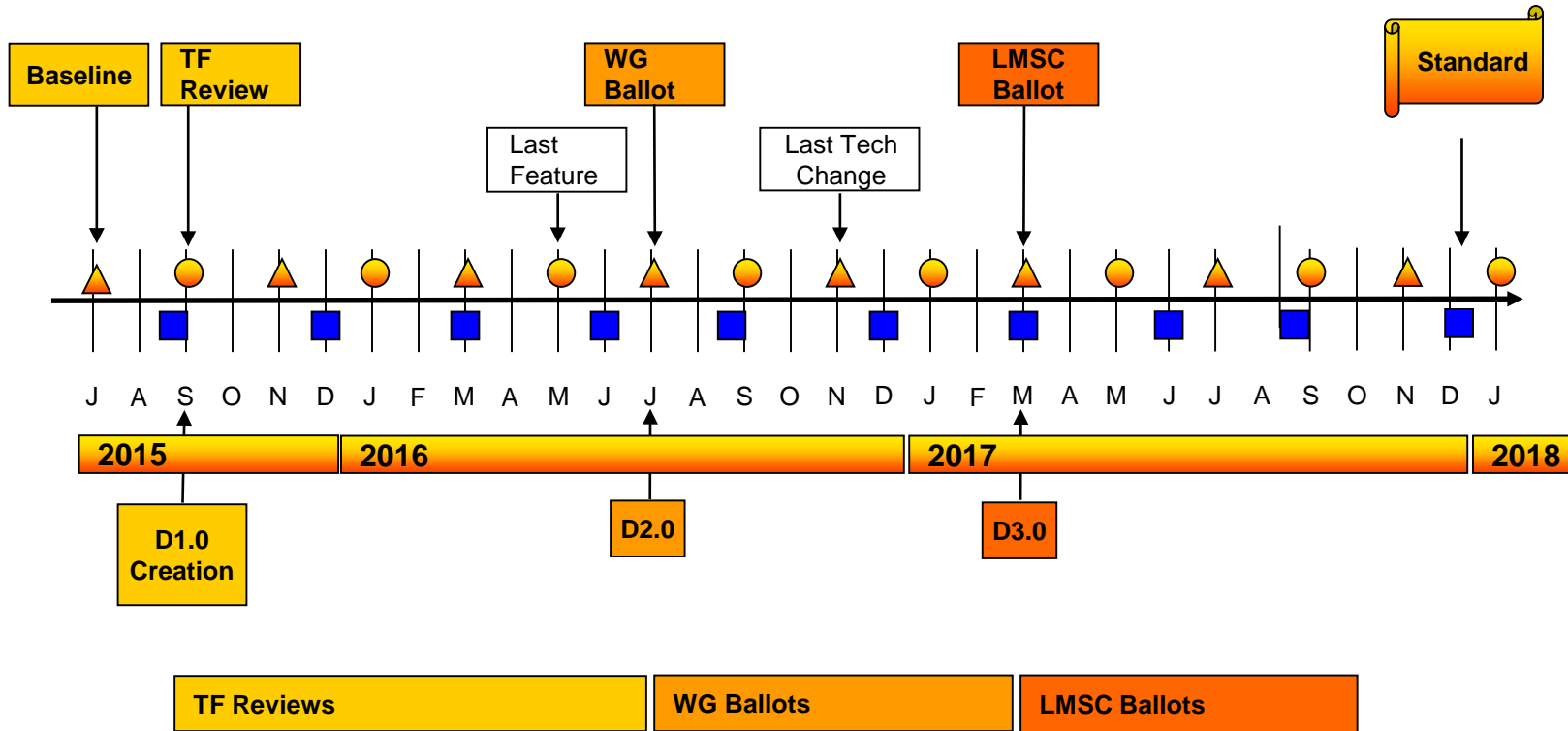
SMF – 10/25, 8/30, 8/16

Electrical - 10/24, 10/17, 10/10, 10/3, 8/29, 8/8

# Comment history



# IEEE P802.3bs 200GbE and 400GbE Adopted timeline



Adopted by IEEE P802.3bs 400GbE Task Force, Sept 2015 Interim.

**Legend**

- ▲ IEEE 802 Plenary
- IEEE 802.3 Interim
- IEEE-SA Standards Board

# IEEE P802.3bs 200GbE and 400GbE Meeting week plan

---

## Goals for the meeting

Discussion re: Sponsor Ballot (conditional approval)

Consider all comments received against D2.1

Approve generation of D2.2 and prepare for 2<sup>nd</sup>  
recirculation WG Ballot

Prepare for request to proceed to Sponsor Ballot  
(conditional approval)

Questions?

Thank you!