

IEEE P802.3.2(IEEE 802.3cf) YANG Data Model Definitions Task Force Closing Report

Yan Zhuang
Huawei Technologies
San Antonio, TX
10 November, 2016

IEEE P802.3.2 (.3cf) YANG Data Model Definitions

Task Force information

Task Force Organization

Yan Zhuang, Huawei Technologies, Chair

Peter Jones, Cisco, Ad hoc Chair

Task force web and reflector information

Reflector information: <http://www.ieee802.org/3/cf/reflector.html>

Home page: <http://www.ieee802.org/3/cf/index.html>

PAR: http://www.ieee802.org/3/cf/IEEE_P802d3d2_220916_PAR.pdf

CSD: <http://www.ieee802.org/3/cf/ec-16-0142-00-ACSD-802-3cf.pdf>

Objectives: http://www.ieee802.org/3/cf/YANG_SG_objectives_v1.6.pdf

Draft Timeline: http://www.ieee802.org/3/cf/Draft_timeline_1116.pdf

IEEE 802.3cf Activities this week

19 people met for ½ day, covering 2 presentations.

Major Items discussed:

- Discussion on model structure of IEEE 802.3 and process to adopt models.
- PSE module discussion (presented to IEEE P802.3bt TF for feedback, also discussed with IEEE 802.1)
- Basic Ethernet Interface module discussion
- PON specific YANG discussion
- Review Liaison Letter from ITU-T SG15

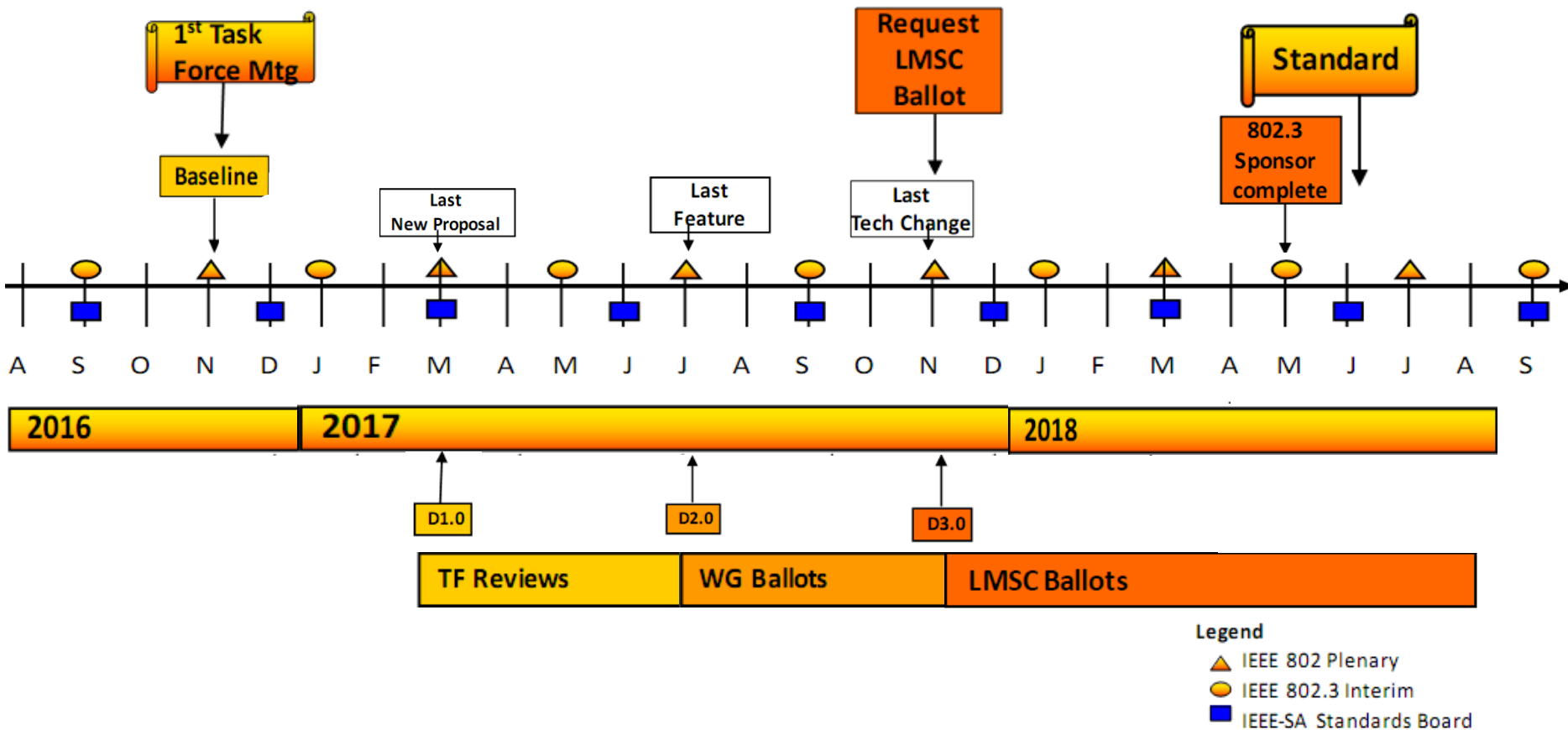
Initial Consensus:

- Attributes in modules should be built on the current Clause 30 as much as possible. As a basis, attributes in modules should be referred to attributes in current Clause 30 or can be derived from Clause 45.
- Consistency with IETF and IEEE 802.1 YANG models.

Liaison Letters:

- Considered liaison letters from ITU-T Q14/15 and Q2/15. Since both were for information, no response was needed at this time.

IEEE P802.3.2 (.3cf) Draft Timeline



Draft proposal

Questions?

Thank you!