

IEEE 802.3 Working Group Standards Status November 3, 2016

* Dates are approved/published

IEEE approved

IEEE Std 802.3.1-2013
(Ethernet MIB)
14-Jun-13/02-Aug-13*

IEEE Std 802.3bw-2015
(100BASE-T1)
26-Oct-15/08-Mar-16*

IEEE Std 802.3by-2016
(25 Gb/s Ethernet)
30-Jun-16/29-Jul-16*

IEEE Std 802.3bq-2016
(25/40GBASE-T)
30-Jun-16/08-Sep-16*

IEEE Std 802.3bp-2016
(1000BASE-T1)
30-Jun-16/09-Sep-16*

IEEE Std 802.3br-2016
(IET)
30-Jun-16/14-Oct-16*

IEEE Std 802.3bn-2016
(EPoC)
22-Sep-16/??-??-??*

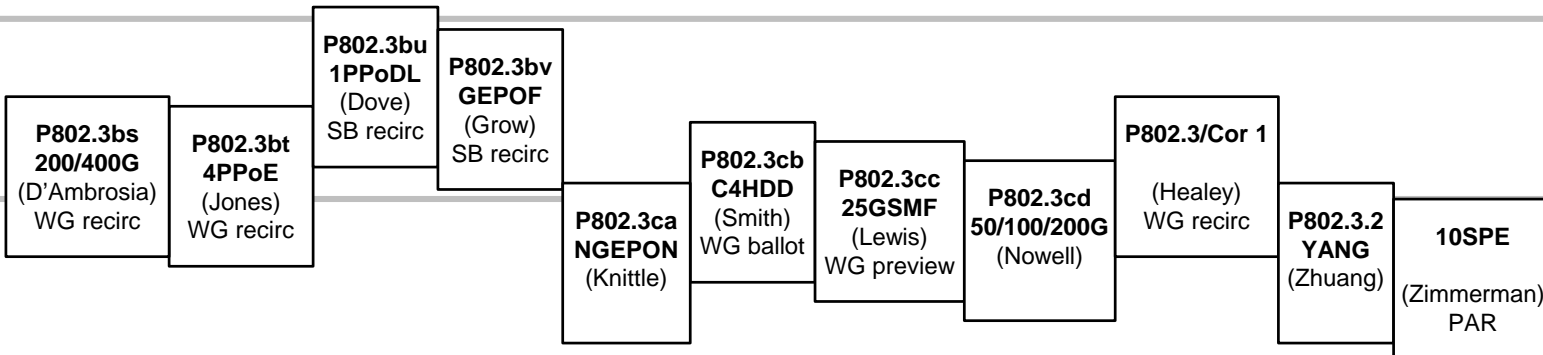
IEEE Std 802.3bz-2016
(2.5/5GBASE-T)
22-Sep-16/18-Oct-16*

SA = Subscriber Access Networks
BPE = Backplane Ethernet

IEEE Std 802.3-2015 6 Books (Sections) 03-Sep-15/04-Mar-16*

Section 1	Section 2	Section 3	Section 4	Section 5	Section 6
Clause 1 to 20 Annex A to H, 4A	Clause 21 to 33 Annex 22A to 33E	Clause 34 to 43 Annex 36A to 43C	Clause 44 to 55 Annex 44A to 55B	Clause 56 to 77 Annex 57A to 76A	Clause 78 to 95 Annex 83A to 93C
CSMA/CD Overview MAC PLS/AUI 10BASE5 MAU 10BASE2 MAU 10BROAD36 MAU 10BASE-T MAU 10BASE-F MAUs 10 Mb/s Repeater 10 Mb/s Topology 10BASE-Te 1BASE5 DTE & MAU Mgmt Repeater Mgmt	100 Mb/s Overview MII 100BASE-T2 100BASE-T4 100BASE-TX 100BASE-FX 100Mb/s Repeater 100Mb/s Topology MAC Control Auto-Negotiation (AN) Management DTE Power	1000 Mb/s Overview GMII 1000BASE-X AN 1000BASE-SX 1000BASE-LX 1000BASE-CX 1000BASE-T 1000 Mb/s Repeater 1000 Mb/s Topology	10 Gb/s Overview MDC/MDIO XGMII XAUI XSBI 10GBASE-SR 10GBASE-LR 10GBASE-ER 10GBASE-SW 10GBASE-LW 10GBASE-EW 10GBASE-LX4 10GBASE-CX4 10GBASE-T	SA Overview OAM MPMC 100BASE-LX10 100BASE-BX10 1000BASE-LX10 1000BASE-BX10 1000BASE-PX10 1000BASE-PX20 10GBASE-PR 10/1GBASE-PRX 10PASS-TS 2BASE-TL SA Topology 10GBASE-LRM BPE Overview 1000BASE-KX 10GBASE-KX4 10GBASE-KR BPE AN BASE-R FEC Maintenance 8 – 10	EEE LLDP TLVs Time Sync RS-FEC 40/100G Overview 40GBASE-KR4 40GBASE-CR4 40GBASE-SR4 40GBASE-FR 40GBASE-LR4 100GBASE-CR10 100GBASE-SR10 100GBASE-KR4 100GBASE-KP4 100GBASE-CR4 100GBASE-SR4 100GBASE-LR4 100GBASE-ER4 Maintenance 10
Maintenance 6 – 10	Maintenance 6 – 10 802.3-2005/Cor 1	Maintenance 6 – 10	Maintenance 7 – 10 802.3-2005/Cor 2		

802.3 WG in progress



802.3 WG new work items