

# IEEE P802.3cu 100 Gb/s and 400 Gb/s over SMF at 100 Gb/s per Wavelength Task Force

## Closing Report to 802.3 Working Group

Kona, HI  
Nov 14<sup>th</sup>, 2019

Mark Nowell, Cisco

# IEEE P802.3cu 100 Gb/s and 400 Gb/s over SMF at 100 Gb/s per Wavelength Task Force Project information

---

## Task Force Organization

Mark Nowell, Cisco, Chair

Kenneth Jackson, Sumitomo Electric, Recording Secretary

Gary Nicholl, Cisco, Editor-in-Chief

## Task Force web and reflector information

Reflector information: <http://www.ieee802.org/3/cu/reflector.html>

Home page: <http://www.ieee802.org/3/cu/index.html>

## Project Documentation

PAR: [http://www.ieee802.org/3/cu/P802\\_3cu\\_PAR.pdf](http://www.ieee802.org/3/cu/P802_3cu_PAR.pdf)

CSD: <https://mentor.ieee.org/802-ec/dcn/19/ec-19-0062-00-ACSD-p802-3cu.pdf>

Objectives: [http://www.ieee802.org/3/cu/Objectives\\_Aproved\\_Sept\\_2019.pdf](http://www.ieee802.org/3/cu/Objectives_Aproved_Sept_2019.pdf)

Timeline: [http://www.ieee802.org/3/cu/P8023cu\\_Timeline\\_Aproved\\_Nov\\_2019.pdf](http://www.ieee802.org/3/cu/P8023cu_Timeline_Aproved_Nov_2019.pdf) **new**

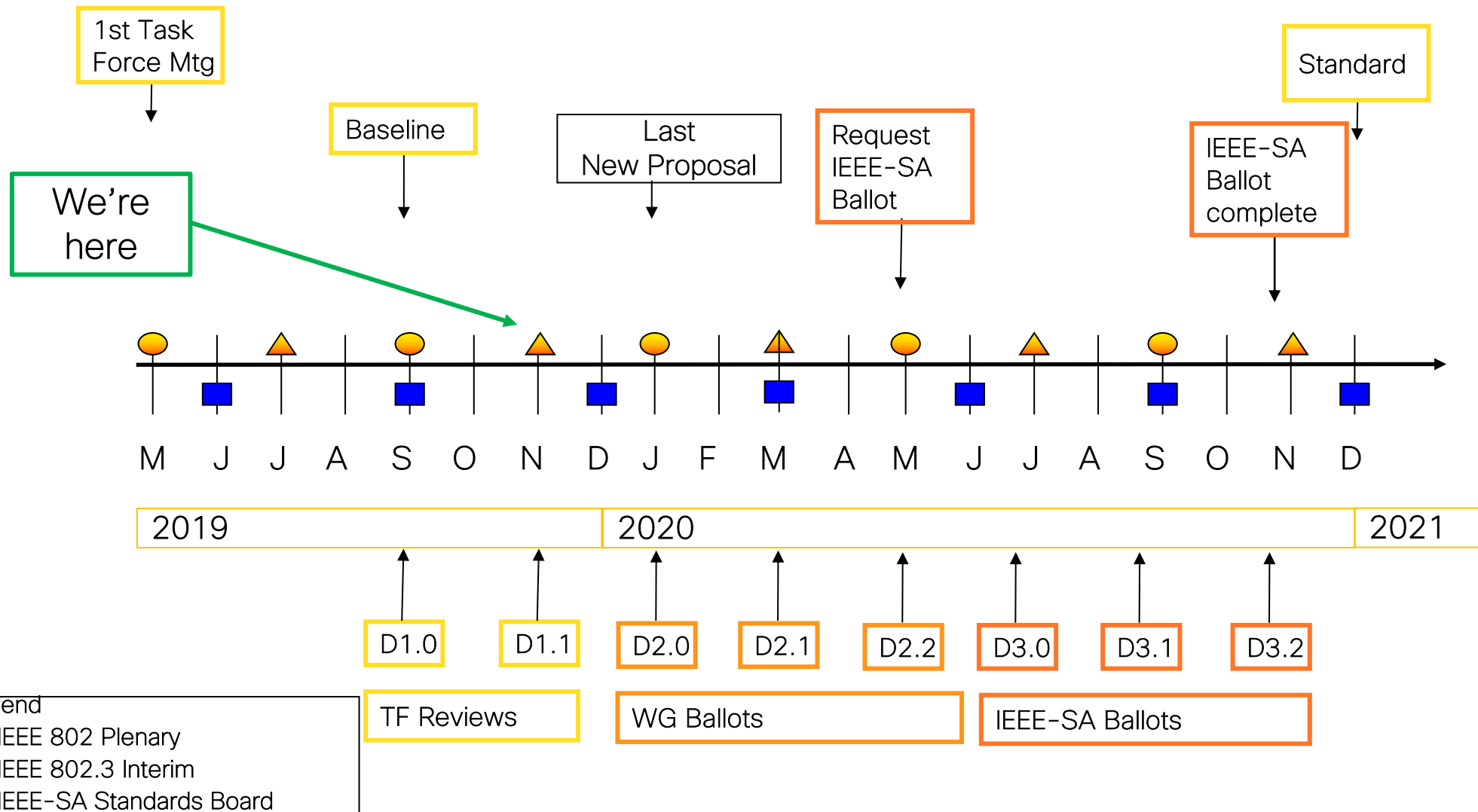
Private Area: <http://www.ieee802.org/3/cu/private/index.html>

# IEEE P802.3cu: Progress This Week & Key Activities

---

- ~45 attendees
- 7 technical contributions were made
- 6 Motions and 1 Straw Poll were taken.
  
- Nomenclature modified for 400G @ 6km spec. 400GBASE-LR4-6
- Task Force timeline adopted
- All comments against D1.0 resolved. The last TBD was resolved.
- D1.1 to be generated and a Task Force ballot recirculation to be initiated
- Task Force agreed to pre-submit D1.1 to the Working Group for consideration for approval to move to Working Group Ballot

# IEEE P802.3cu Task Force adopted Timeline



RevCom Submittal dates  
 • 13 Oct 2020

# Nomenclature framework used to reach consensus

## Nomenclature Proposal

Description	DR	FR	LR	ER	ZR
unit	m	km	km	km	km
reach (max) range	100 - 2000	1 - 3	4 - 20	20 - 40	any
default reach	500	2	10	40	80
default name	DRn	FRn	LRn	ERn	ZR
optional alt. default name	DRn-500	FRn-2	LRn-10	ERn-40	ZR-80
non-default ex.1 reach	300	1	6	30	120
ex.1 name	DRn-300	FRn-1	LRn-6	ERn-30	ZR-120
non-default ex.2 reach	1500	1.5	15	25	40
ex.2 name	DRn-1500	FRn-1.5	LRn-15	ERn-25	ZR-40

Adopted nomenclature of 400GBASE-LR4-6 came from a broader framework to help provide.

Presenting here for awareness. No ability to prescribe to other Task Forces what they might want to do in future.

Key concept is a “default” reach with an additional number to be added if PMD reach doesn’t match default

400G @ 6km

- LR “default” is 10 km
- Results in 400GBASE-LR4-6

# Future Meetings & Ad hocs

## Ad-hoc meeting plans

On-going quasi-bi-weekly meetings, schedule and agendas will be published.

Timeslot – Wed @ 8am PT is typical

See: <http://www.ieee802.org/meeting/index.html>

## Jan 2020, Interim

- Week of Jan 20thm 2020, Geneva, CH

## March 2020, Plenary

- Week of March 16th, 2020. Atlanta, Ga.

## May 2020, Interim

- Week of May 18th, 2020. Pasadena, Ca.

## July 2020 Plenary

- Week of July 13th, 2019. Montreal, QC