

ISO/IEC SC25/WG3 Update Report

August 2018

- Customer Premises Cabling –

Connecting hardware for single pair cabling

James Withey

Liaison Officer, IEEE 802.3 - ISO/IEC SC25 WG3

james.withey@flukenetworks.com

ISO/IEC SC25/WG3 Update Report

August 2018

- Customer Premises Cabling -

Key Items:

- Connecting hardware for single pair cabling



Introduction

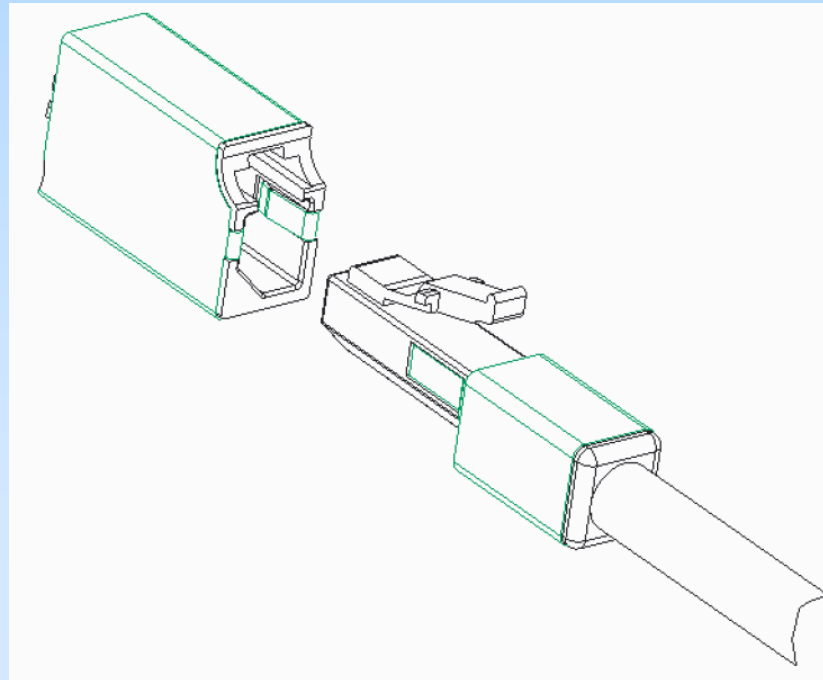
- **ISO/IEC SC25 WG3 produced a questionnaire for the national committees to select Connecting hardware for single pair cabling to be used by SC25 WG3.**
- **The questionnaire was divided into two selections:-**
 - **$M_1I_1C_1E_1$ (Normal office environments).**
 - **$M_2I_2C_2E_2/M_3I_3C_3E_3$ (Industrial environments).**
- **The results of the questionnaire were circulated 27/07/2018 as JTC 1/SC 25/2819/RQ.**

Connector interface selection

$M_1I_1C_1E_1$

Connector: Copper LC style connector for use with 1-pair balanced twisted pair cabling

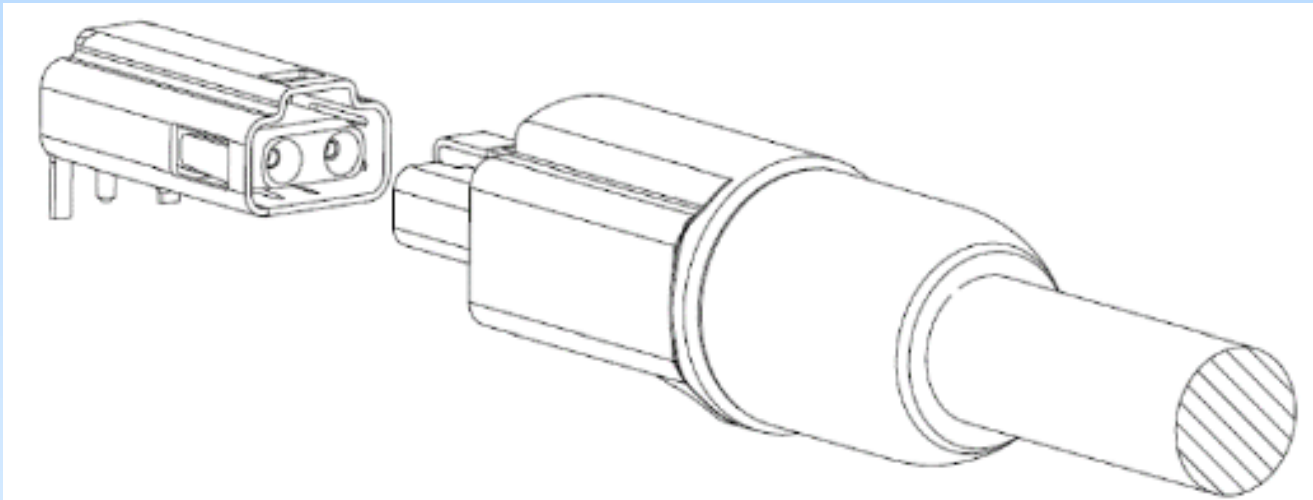
Standard: IEC 63171-1 (CD)



Connector interface selection

$M_2I_2C_2E_2/M_3I_3C_3E_3$

- Connector:** 2-way, shielded and unshielded, free and fixed connectors for data transmission up to 600MHz with current carrying capacity
- Standard:** IEC 61076-3-125 (CD)



Next Steps

- **ISO/IEC SC25 WG3 has not met since the results of this questionnaire have been published**
- **At their next meeting ISO/IEC SC25 WG3 will begin the work of incorporating the results of this survey into their single pair cabling projects.**

Future Meetings

ISO/IEC SC25 WG3/Plenary	24-28 Sep 2018	Washington DC
ISO/IEC SC25 WG3	25 Feb-1 Mar 2019	TBD
ISO/IEC SC25 WG3/Plenary	23-27 Sep 2019	Nagasaki
ISO/IEC SC25 WG3	24-28 Feb 2020	TBD