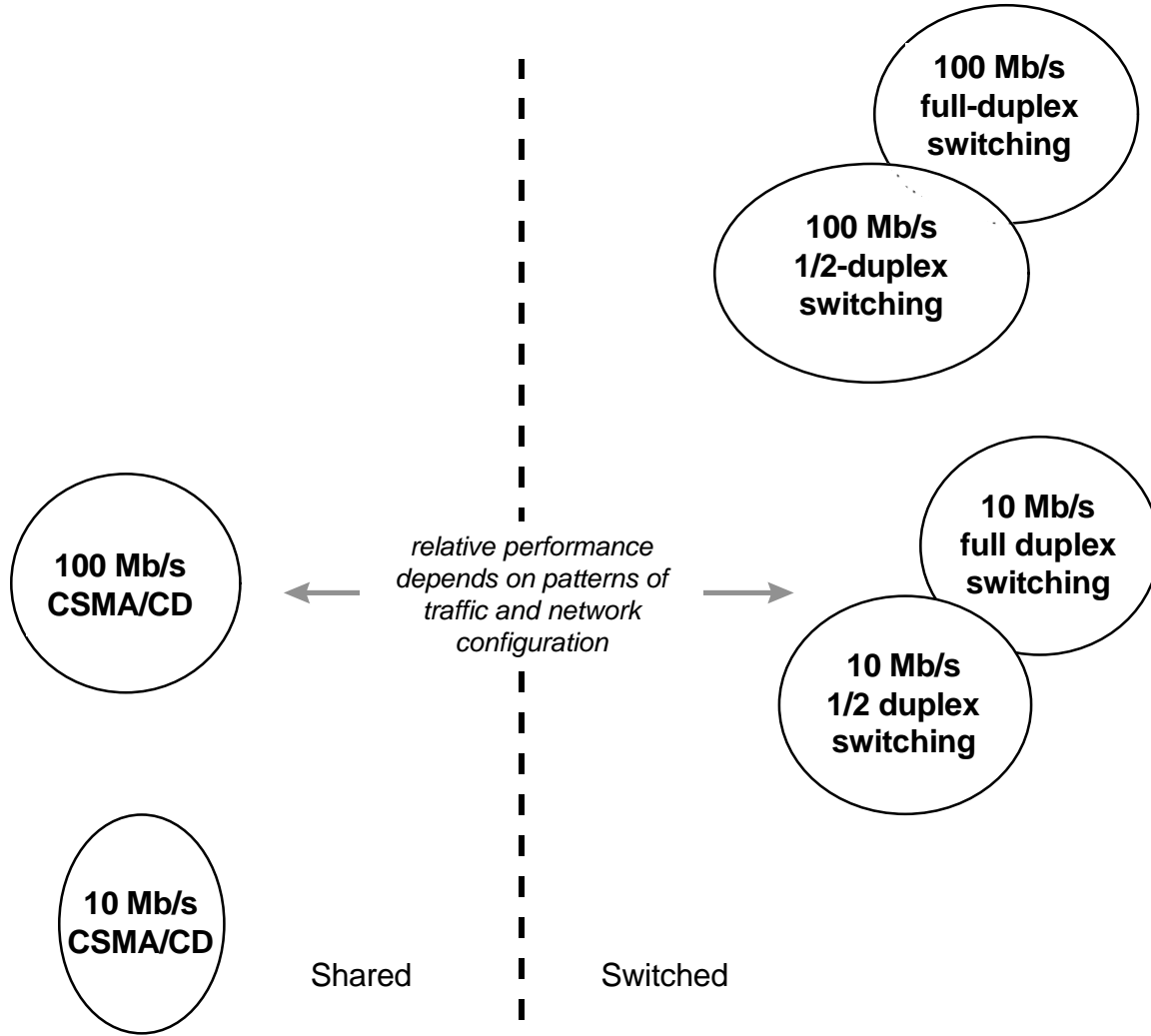




Ethernet Product Family Today



Increasing aggregate system bandwidth

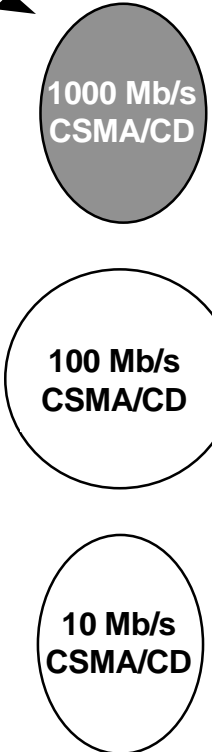
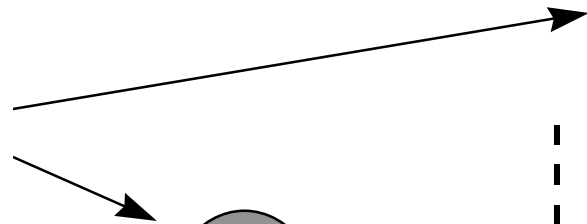


Increasing aggregate system bandwidth

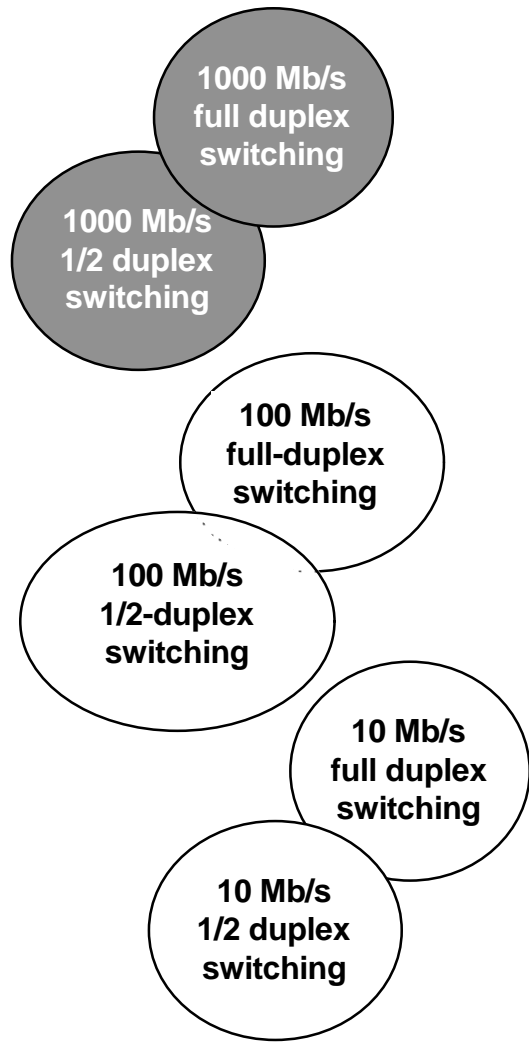


“Ideal” Gigabit Product Family

An exact duplicate and extension of Fast Ethernet



Shared

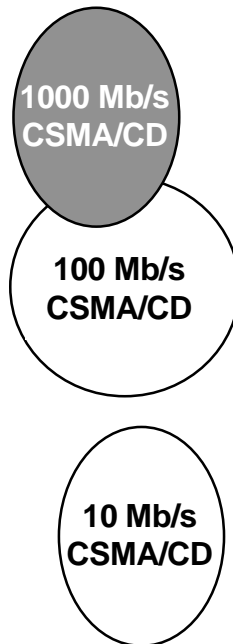


Switched

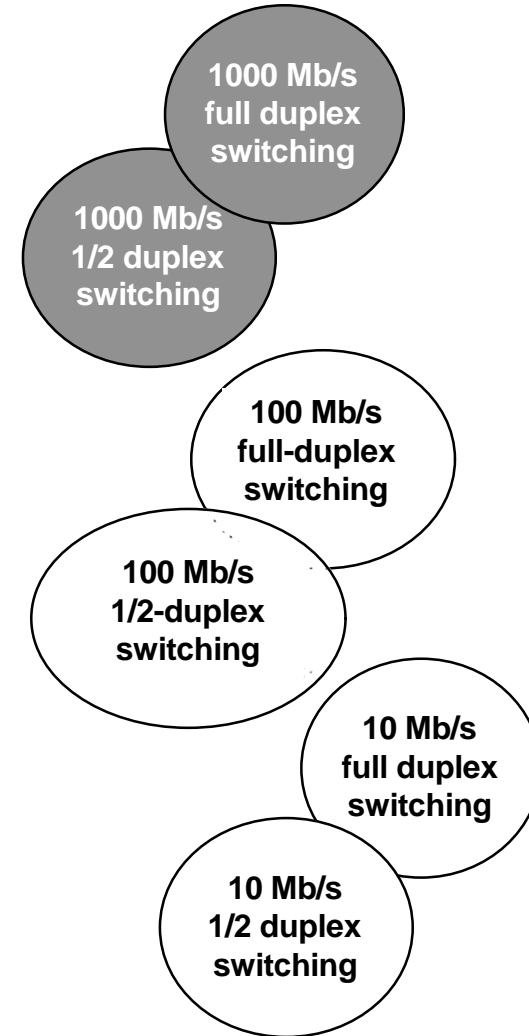
Problems

CSMA/CD performance is less than 10x Fast Ethernet.

It performs at about 2 to 9x Fast Ethernet (6x nominal).



Shared



Switched

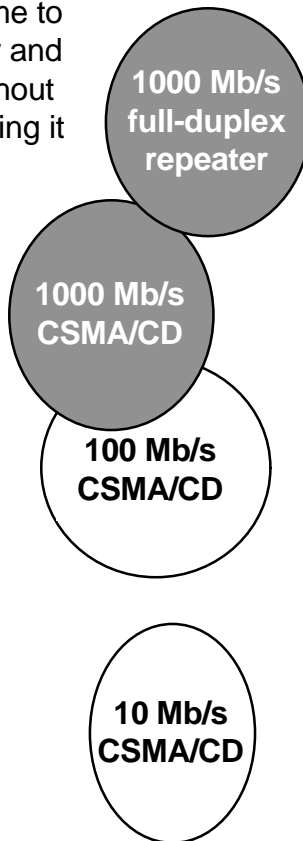
IEEE 802.3z
Gigabit Ethernet



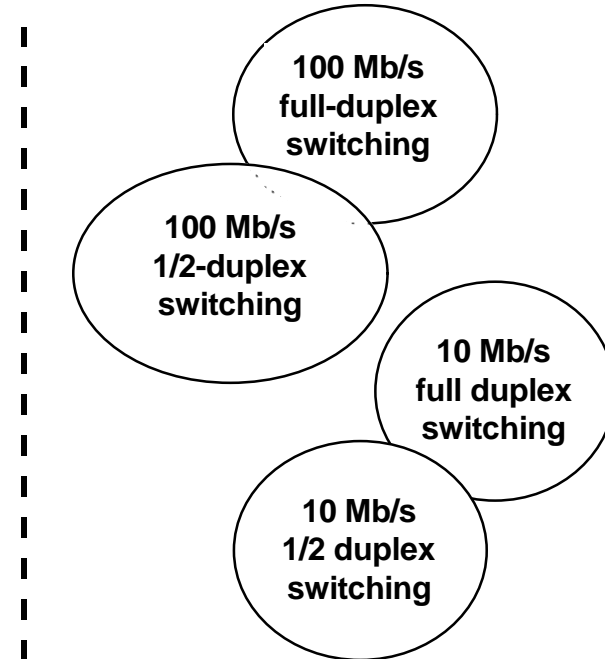
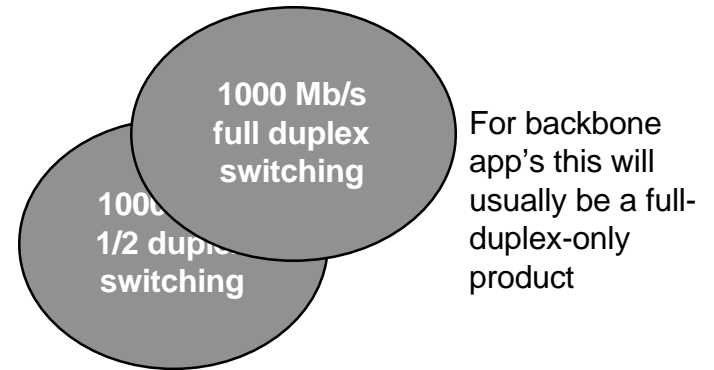
Solution

Give an official name to the buffered repeater and permit its use, without over-specifying it

Retain distributed CSMA/CD for those customers who want it, and for possible future half-duplex links



Shared



Switched

IEEE 802.3z
Gigabit Ethernet